

**MEDISTEEL**
**Single roll toilet tissue dispenser / Surface mounted**

**AI0129C  
Bright finish**

**AI0129CS  
Satin finish**
**General Description**

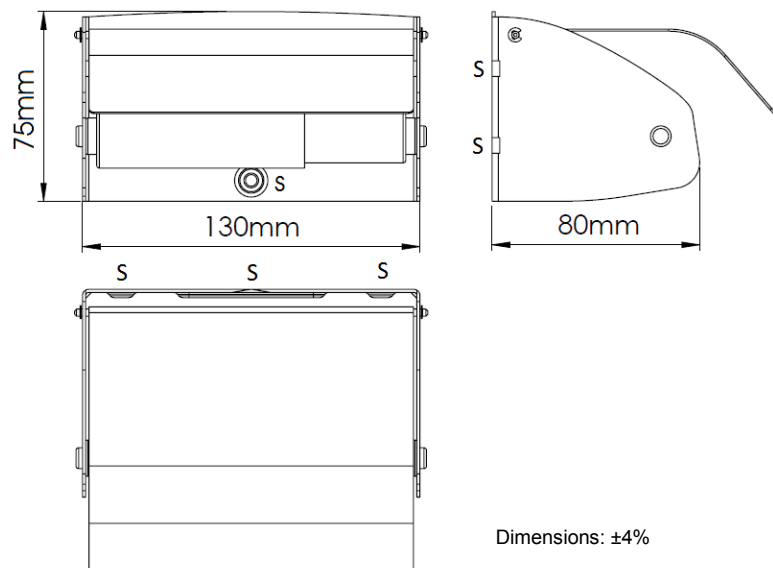
- Surface Mounted toilet tissue dispenser with hood, bright or satin finished, made in stainless steel AISI 304.
- The stainless steel AISI 304 construction protects the product against rust and ensures quality and longevity.
- White plastic spindle holds rolls up to 130 mm diameter.
- Model suitable for the hotel sector, elderly centers, homes and for collectivities.

**Components & materials**

- **AI0129C:** AISI 304 stainless steel, bright finish.
- **AI0129CS:** AISI 304 stainless steel, satin finish.
- **HOUSING:** made in stainless steel AISI 304, 1.2 mm thick. Drawn, one-piece, seamless construction.
- **HOOD:** made in stainless steel AISI 304, 0.8 mm thick.
- **SPINDLE:** made in white plastic and equipped with an inner heavy-duty spring.
- Screws and plugs for installation to the wall are provided.

**Technical Specifications**

<b>General dimensions</b>	<i>130 x 75 x 80 mm</i>
<b>Housing thickness</b>	<i>1.2 mm</i>
<b>Hood thickness</b>	<i>0.8 mm</i>
<b>Toilet paper roll</b>	<i>Max. Ø130 mm</i>

**Dimensions**

**MOUNTING**

Mount unit on wall or toilet partition with three stainless steel screws at points indicated by an S. Mounting distance shall be approx. 670 mm from the ground to the top of the unit.